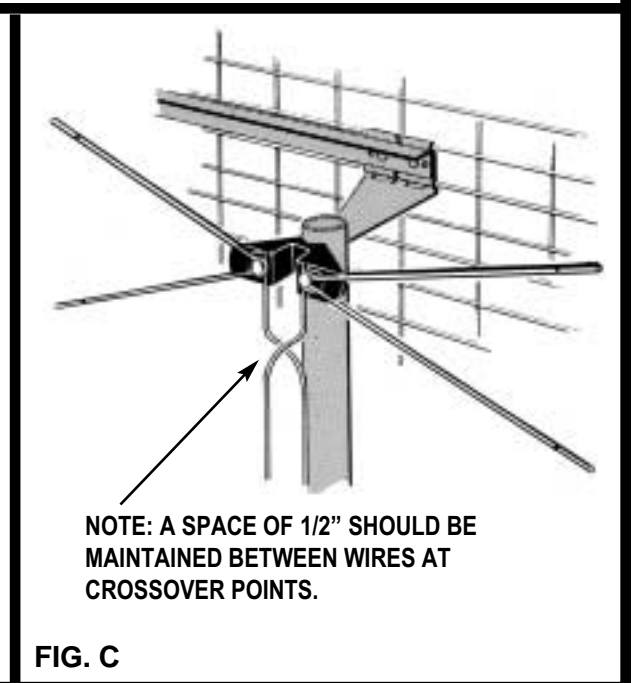
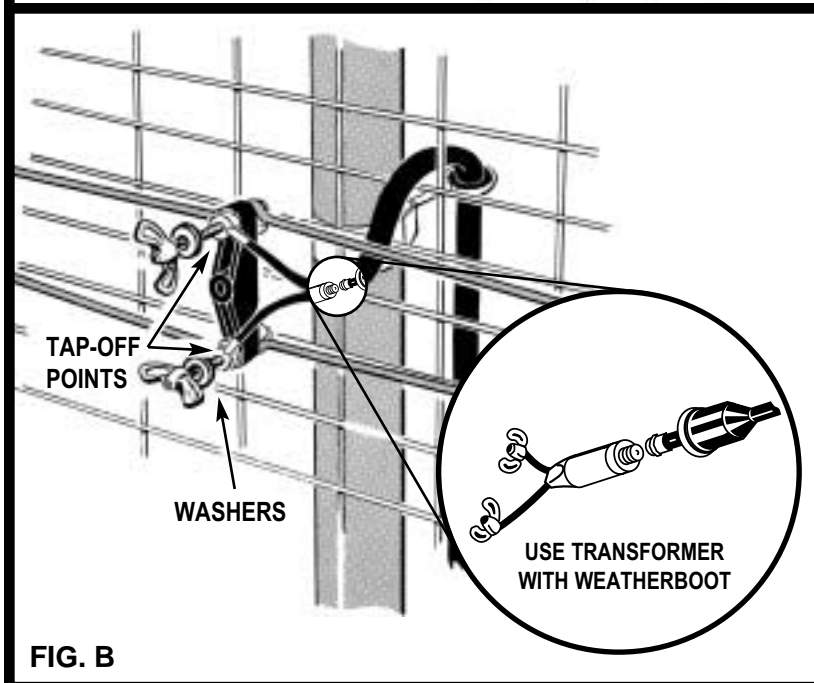
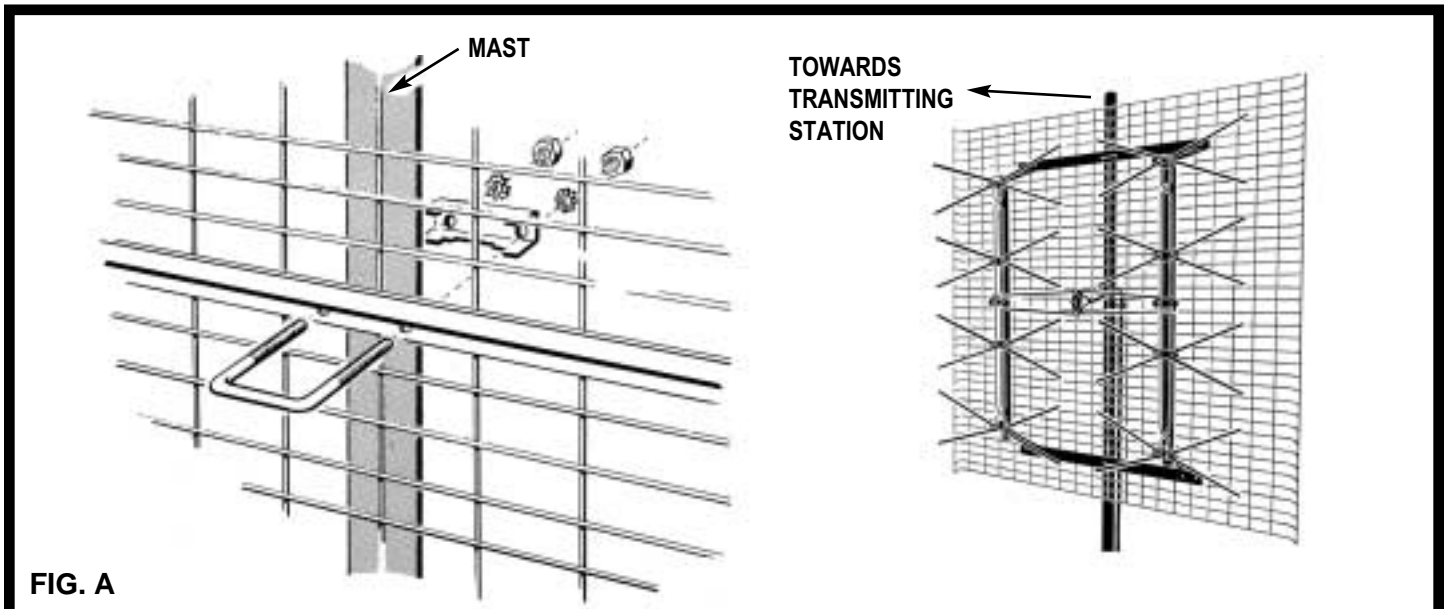


8-BAY MULTI-BOW ANTENNA

INSTRUCTION SHEET

WARNING: Installation of this product near power lines is **DANGEROUS**. For your safety, read the enclosed "DANGER" booklet before beginning your installation.



STEP 1 Attach antenna to mast using nest, U-bolts, nuts and washers. See FIG. A.

STEP 2 Connect transmission line or matching transformer (supplied) to tap-off points and secure with washers and wingnuts. See FIG. B.